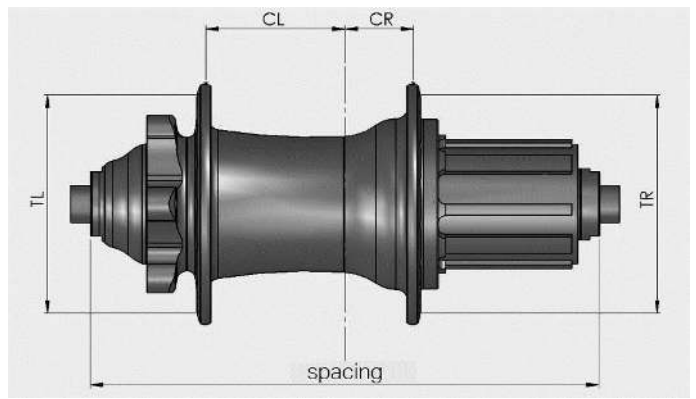
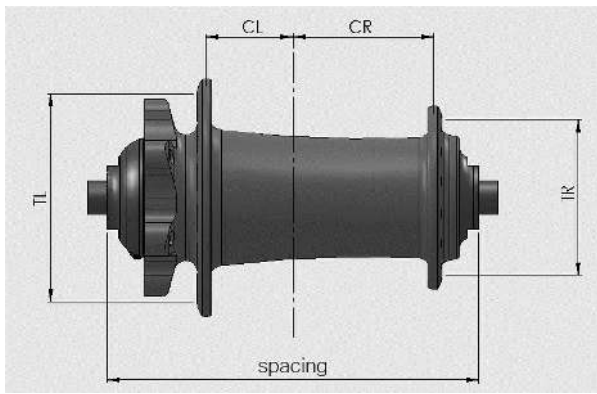


- All measurements are in millimeter.
- The 20, 24, 28 and 32 holes variants have the same pitch diameter.
- Spoke hole diameter is 2,5mm.
- Straight Pull hubs 20 & 24 holes are 2-times crossed and/or radial.
- Straight Pull hubs 28 holes are 3-times crossed and/or radial.

Hubs	Spacing	Flange left	Flange distance left (CL)	Pitch diameter left (TL)	Flange right	Flange distance right (CR)	Pitch diameter right (TR)
9teen XC VR	100	Straight Pull	19,9	37,4	Radial	41,9	34
9teen XC RW	135 (X12=142)	Straight Pull	33,1	39,6	Straight Pull	19,2	50,8
9teen ED VR	100	J-Bend	23,5	56	J-Bend	38,1	42
9teen ED RW	135 (X12=142)	J-Bend	33	56	J-Bend	20,4	51
9teen FR VR	100	J-Bend	23,5	56	J-Bend	33,9	48
9teen FR RW	135 (X12=142)	J-Bend	33	56	J-Bend	20,2	56
9teen DH VR	110	J-Bend	23,5	56	J-Bend	33,9	48
9teen DH RW	154/157	J-Bend			J-Bend		
9teen 1G	135 (X12=142)	J-Bend	32,3	56	J-Bend	32,3	56
9teen Boost VR	110	J-Bend	28	56	J-Bend	41	42
9teen Boost RW	148	J-Bend	36	56	J-Bend	23,4	51
9teen Boost XC VR	110	Straight Pull	27,5	37,4	Straight Pull	46,6	34
9teen Boost XC RW	148	Straight Pull	33	39,6	Straight Pull	25,2	50,8



- All measurements are in millimeter.
- The 20, 24, 28 and 32 holes variants have the same pitch diameter.
- Spoke hole diameter is 2,5mm.
- Straight Pull hubs 20 & 24 holes are 2-times crossed and/or radial.
- Straight Pull hubs 28 holes are 3-times crossed and/or radial.

Hubs	Spacing	Flange left	Flange distance left (CL)	Pitch diameter left (TL)	Flange right	Flange distance right (CR)	Pitch diameter right (TR)
9teen RD-DISC FW	100	Straight Pull	19,9	37,4	Straight Pull	41,9	34
9teen RD-DISC RW	135	Straight Pull	33	39,6	Straight Pull	17,85	50,8
9teen RD FW	100	J-Bend	35,2	42	J-Bend	35,2	42
9teen RD RW	130	J-Bend	34	42	J-Bend	17,5	54
9teen RD Straight Pull FW	100	Radial	36,5	35	Radial	36,5	35
9teen RD Straight Pull RW	130	Radial	33,8	34	Straight Pull	16,6	53,7